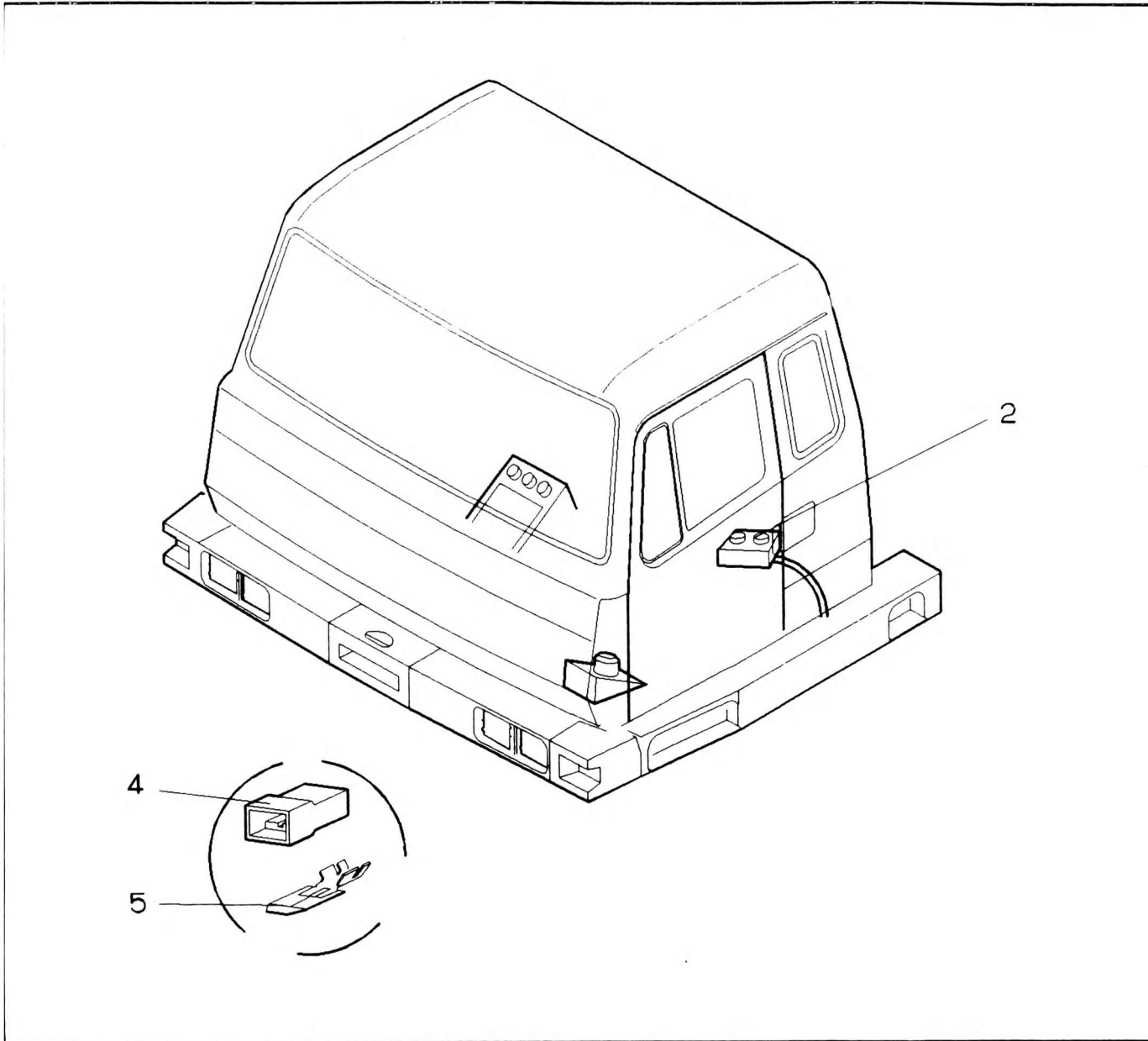


ELECTRICAL ASSEMBLY CAB



NO.	PART NO.	QTY.	DESCRIPTION	NO.	PART NO.	QTY.	DESCRIPTION
2 +	6-978-990447	1	Master Switch Junction Box Assy				
4	8786900	1	Housing Tab 'Plug' 2 Way				
5	8786860	2	Connector Tab 'Male' 'Tinned Brass'				

+ See further breakdown in this group

6-978-990429
Issue No. 03